

4

3

2

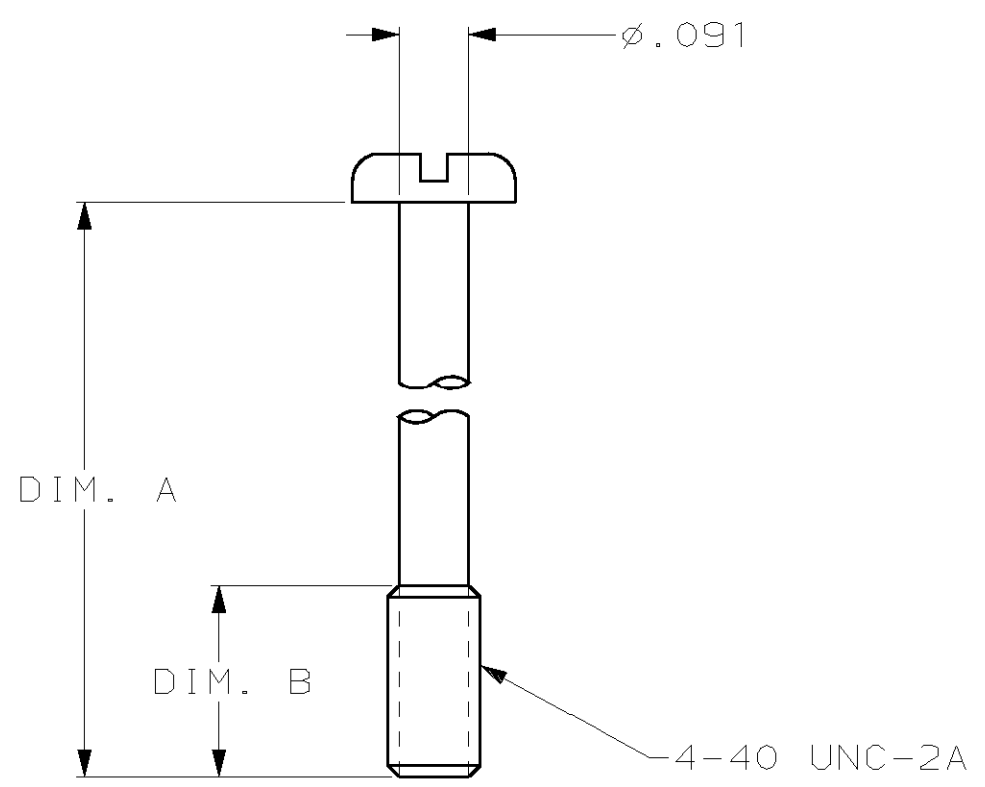
1

THIS DRAWING IS UNPUBLISHED. RELEASED FOR PUBLICATION, 19 .

© COPYRIGHT 19 BY AMP INCORPORATED. ALL RIGHTS RESERVED.

| LOC | DIST | REVISIONS   |                          |         |         |
|-----|------|-------------|--------------------------|---------|---------|
| P   | LTR  | DESCRIPTION | DATE                     | DWN     | APVD    |
| AA  | 20   | H           | REVISED; EC OUFO-0046-01 | 11MAY01 | DLD EWB |

- 1. MATERIAL: ZINC PLATED STEEL.
- 2. ALL DIMENSIONS SHOWN ARE FOR REFERENCE ONLY UNLESS OTHERWISE SPECIFIED.



|        |        |             |
|--------|--------|-------------|
| .100   | .265   | 229996-4    |
| .100   | .350   | 229996-3    |
| .100   | .425   | 229996-2    |
| DIM. B | DIM. A | PART NUMBER |

|  |    |                              |   |                      |    |       |    |       |    |       |    |        |    |                   |                 |  |
|--|----|------------------------------|---|----------------------|----|-------|----|-------|----|-------|----|--------|----|-------------------|-----------------|--|
| THIS DRAWING IS A CONTROLLED DOCUMENT.   |    | DWN<br>A. HOLT<br>01JUN78    | AMP Incorporated<br>Harrisburg, PA 17105-3608 |                      |    |       |    |       |    |       |    |        |    |                   |                 |  |
| DIMENSIONS:<br>INCHES  |    | CHK<br>R.E. REICH<br>01JUN78 |   |                      |    |       |    |       |    |       |    |        |    |                   |                 |  |
| TOLERANCES UNLESS OTHERWISE SPECIFIED:   |    | APVD<br>S. HEGE<br>02JUN78   | NAME<br>SCREW, PAN HEAD, CAPTIVE              |                      |    |       |    |       |    |       |    |        |    |                   |                 |  |
| <table border="0"> <tr><td>0 PLC</td><td>±-</td></tr> <tr><td>1 PLC</td><td>±-</td></tr> <tr><td>2 PLC</td><td>±-</td></tr> <tr><td>3 PLC</td><td>±-</td></tr> <tr><td>4 PLC</td><td>±-</td></tr> <tr><td>ANGLES</td><td>±-</td></tr> </table> |    | 0 PLC                        | ±-  | 1 PLC                | ±- | 2 PLC | ±- | 3 PLC | ±- | 4 PLC | ±- | ANGLES | ±- | PRODUCT SPEC<br>- | SIZE<br>A300779 |  |
| 0 PLC  | ±- |                              |   |                      |    |       |    |       |    |       |    |        |    |                   |                 |  |
| 1 PLC  | ±- |                              |   |                      |    |       |    |       |    |       |    |        |    |                   |                 |  |
| 2 PLC  | ±- |                              |   |                      |    |       |    |       |    |       |    |        |    |                   |                 |  |
| 3 PLC  | ±- |                              |   |                      |    |       |    |       |    |       |    |        |    |                   |                 |  |
| 4 PLC  | ±- |                              |   |                      |    |       |    |       |    |       |    |        |    |                   |                 |  |
| ANGLES   | ±- |                              |   |                      |    |       |    |       |    |       |    |        |    |                   |                 |  |
| MATERIAL<br>1  |    | APPLICATION SPEC<br>-        | CAGE CODE<br>C- 229996                        | DRAWING NO<br>229996 |    |       |    |       |    |       |    |        |    |                   |                 |  |
| FINISH<br>-  |    | WEIGHT<br>-                  | RESTRICTED TO<br>-                            |                      |    |       |    |       |    |       |    |        |    |                   |                 |  |
| CUSTOMER DRAWING   |    |                              | SCALE<br>4:1                                  | SHEET<br>1 OF 1      |    |       |    |       |    |       |    |        |    |                   |                 |  |
|  |    |                              | REV<br>H                                      |                      |    |       |    |       |    |       |    |        |    |                   |                 |  |